



A brand of Asco Pompe
Diaphragm Pumps

Model V05 Plastic

AIR OPERATED DOUBLE DIAPHRAGM PUMPS

STEPPING UP WITH US

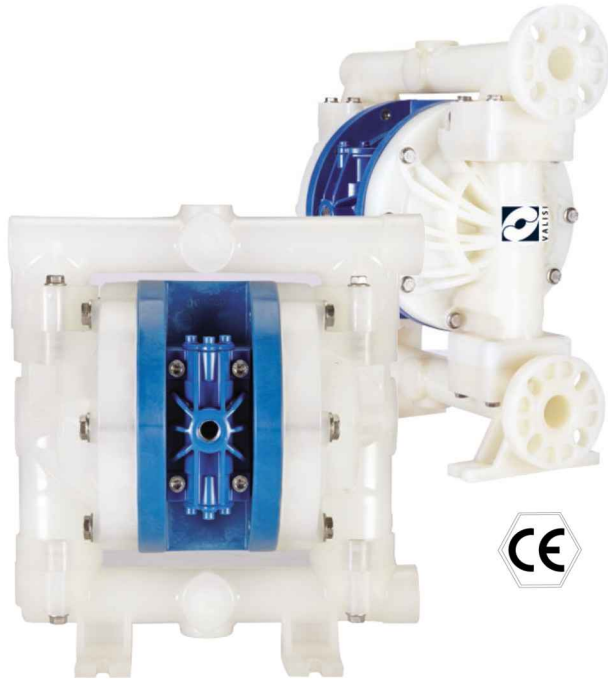
Specifications

Suction & Discharge Size: 1/2" x 1/2"
Standard Porting Location*: End
Connection Types: NPT, BSP
Air Inlet & Air Exhaust Size: 1/4" FNPT x 1/2" FNPT

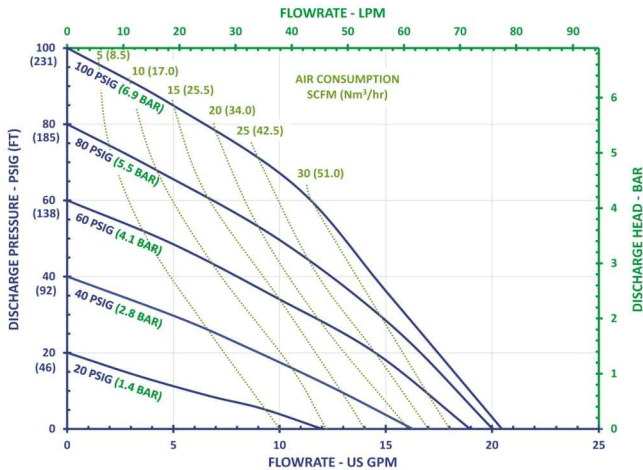
*Optional NPT or BSP threaded center port location in either horizontal or vertical position

Capabilities

Maximum Flow Rate: 20 gpm (77 lpm)
Maximum Air Supply Pressure: 100 psi (6.9 bar)
Displacement Per Stroke: 0.02 gal (0.08 lit)
Minimum Air Inlet Pressure: 10 psig (0.7 bar)
Maximum Particle Size : 0.19 in (4.7 mm)
Sound Pressure: 72.1 dB(A)
Operating Temperature: Determined by elastomers



V05 Performance



Note: Full stroke diaphragm allows performance to be equal for all elastomers.

Typical Applications

- Acids & Bases
- Plating Solutions
- Wastewater
- Paints, Inks, Solvents
- Ceramic Slip and Glaze
- Lubricants and Oils

Typical Industries

- Mining
- Paints and Coatings
- Ceramics
- Pulp and Paper
- Electroplating & Anodizing
- Wastewater
- Marine
- Chemical Manufacturing & Distribution
- OEM's

Construction

Wetted Materials:	Polypropylene, PVDF Neoprene, Santoprene™, FKM,
Diaphragm Materials:	EPDM, PTFE, Buna, Hytre®, Polyurethane
Air Valve:	GFRPP, Aluminum
Ball Materials:	Neoprene, Buna, EPDM, FKM, Santoprene™, PTFE
Seat Materials:	Polypropylene, PVDF
O-ring Materials:	Buna, FKM, Santoprene™, Polyurethane, FEP/FKM

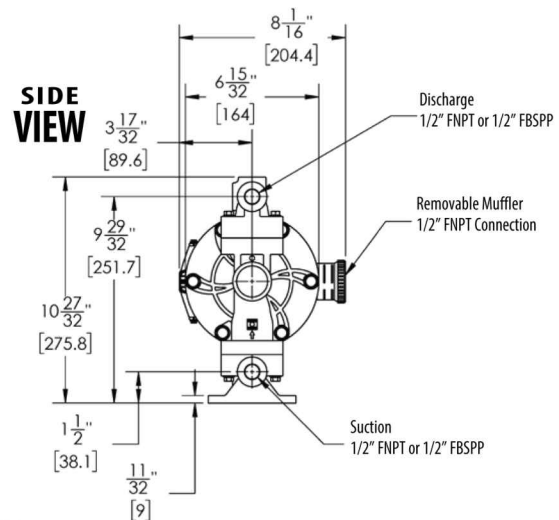
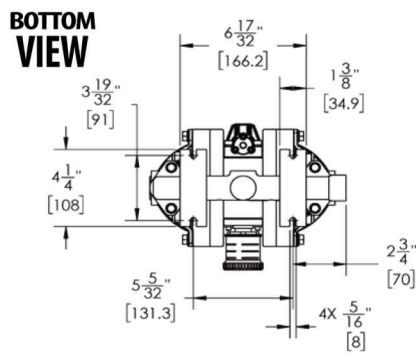
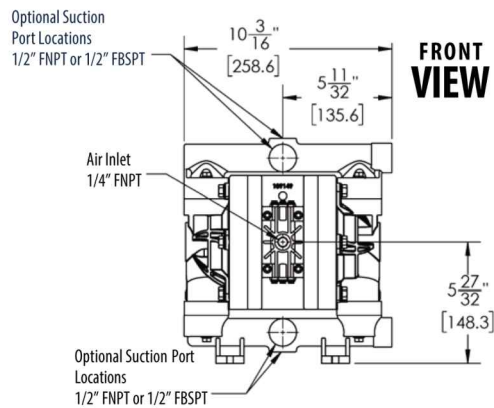
Santoprene™ is a registered trademark of Exxon Mobil Corp.
Hytre® is a registered trademark of Dupont™

Dimensions

Maximum Height:	10-27/32 in (276 mm)
Maximum Width:	10-3/16 in (259 mm)
Maximum Depth:	8-1/16 in (204 mm)

Weight

Polypropylene:	8.3 lb (3.8 kg)
PVDF:	11.9 lb (5.4 kg)



A brand of Asco Pompe
Diaphragm Pumps

