



A brand of Asco Pompe  
**Diaphragm Pumps**

# Model V15CA Metal

AIR OPERATED DOUBLE DIAPHRAGM PUMPS

## STEPPING UP WITH US

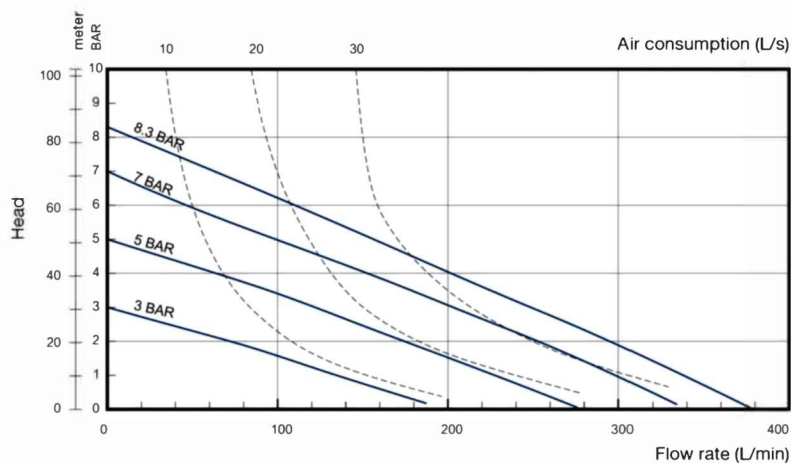
### Specifications

Suction & Discharge Size:	1.5" x 1.5"
Porting Location:	Center/end
Connection Types:	FBSPT
Air Inlet & Air Exhaust Size:	1/2" FNPT x 3/4" FNPT

### Capabilities

Maximum Flow Rate:	378 lpm
Maximum Air Supply Pressure:	8,3 bar
Displacement Per Stroke:	2,83 lit
Minimum Air Inlet Pressure:	0,9 bar
Maximum Particle Size :	6,0 mm
Sound Pressure:	77 dB(A)
Operating temperature:	Determined by elastomers

### V15CA Performance



### Typical Applications

- Acids & Bases
- Plating Solutions
- Wastewater
- Paints, Inks, Solvents
- Ceramic Slip and Glaze
- Lubricants and Oils

### Typical Industries

- Mining
- Paints and Coatings
- Ceramics
- Pulp and Paper
- Electroplating & Anodizing
- Wastewater
- Marine
- Chemical Manufacturing & Distribution
- OEM's

## Construction

Wetted Materials:	Aluminum
Diaphragm Materials:	Santoprene™
Air Valve:	Aluminum
Ball Materials:	Santoprene™
Seat Materials:	Santoprene™
O-ring Materials:	Buna

Santoprene™ is a registered tradename of Exxon Mobil Corp.

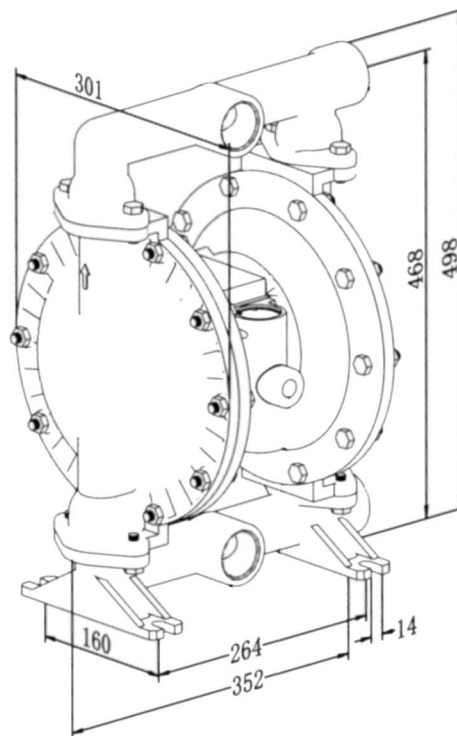
## STEPPING UP WITH US

### Dimensions

Maximum Height:	498 mm
Maximum Width:	352 mm
Maximum Depth:	301 mm

### Weight

Aluminum:	18 kg
-----------	-------



A brand of Asco Pompe  
**Diaphragm Pumps**

